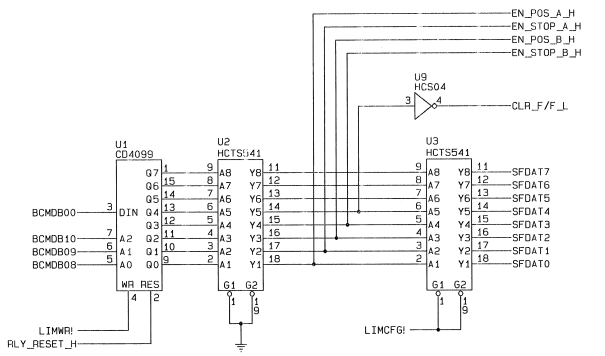
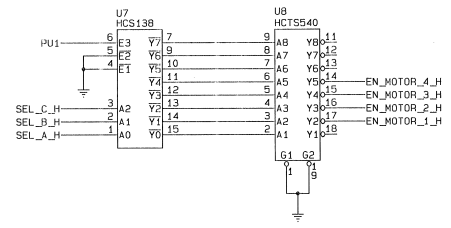


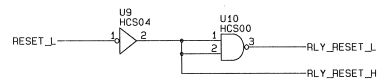
REVISIONS				
ZONE	LTR.	DESCRIPTION	DATE	APPROVED
D		REVISED PER ECO #20160	RC 7/3/96	20-128



COMMAND DECODER AND READ BACK



COMMAND DECODER AND READ BACK



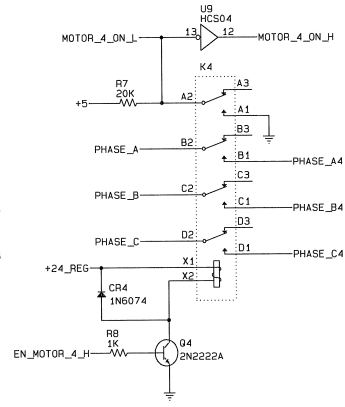
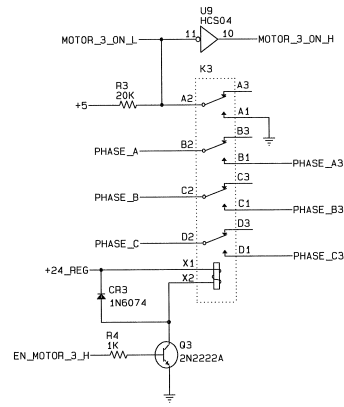
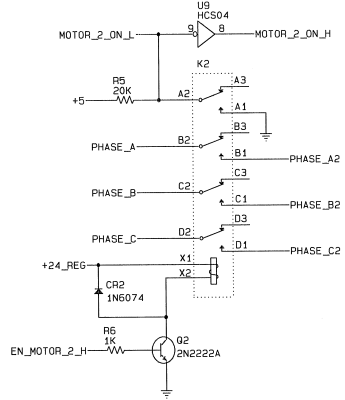
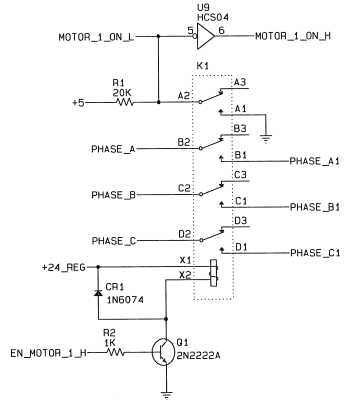
RELEASED
ENGINEERING DATA
UNDER ECO CONTROL
DATE 11-5-16



- NOTES:
1. UNLESS OTHERWISE SPECIFIED:
ALL RESISTOR VALUES ARE IN OHMS, 1/BW +/-5%.
ALL CAPACITOR VALUES ARE IN uF, 100V, +/-10%.

REMOVE BURRS AND BREAK SHARP EDGES UNLESS OTHERWISE SPECIFIED DIMENSIONS ARE IN INCHES	ENR RECDON CHK R DEPAYAD DATE 06/20/95 DATE 06/23/95	SMITHSONIAN ASTROPHYSICAL OBSERVATORY CENTRAL ENGINEERING CAMBRIDGE MA
TOLERANCES ON FRACTIONS: DECIMALS ANGLES	ISSR APPD DATE	SCHEMATIC, MOTOR SELECT
MACH. FIN: N/A	ENGR APPD D. HEAVER DATE	C EDGE TISSY NO. 50944
FIN: N/A	PROJ APPD D.W. (S. MOORE) DATE 08/26/95	DRG NO. HRC-5224
NEXT ASSY: HRC-DV5274	DR S.D. 100 K.O. 06/26/95	SCALE NONE
		SCHEMA V3.34
		SHEET 1 OF 4

REVISIONS				
ZONE	LTR.	DESCRIPTION	DATE	APPROVED
D		REVISED PER ECO #20160	1/3/96	DL

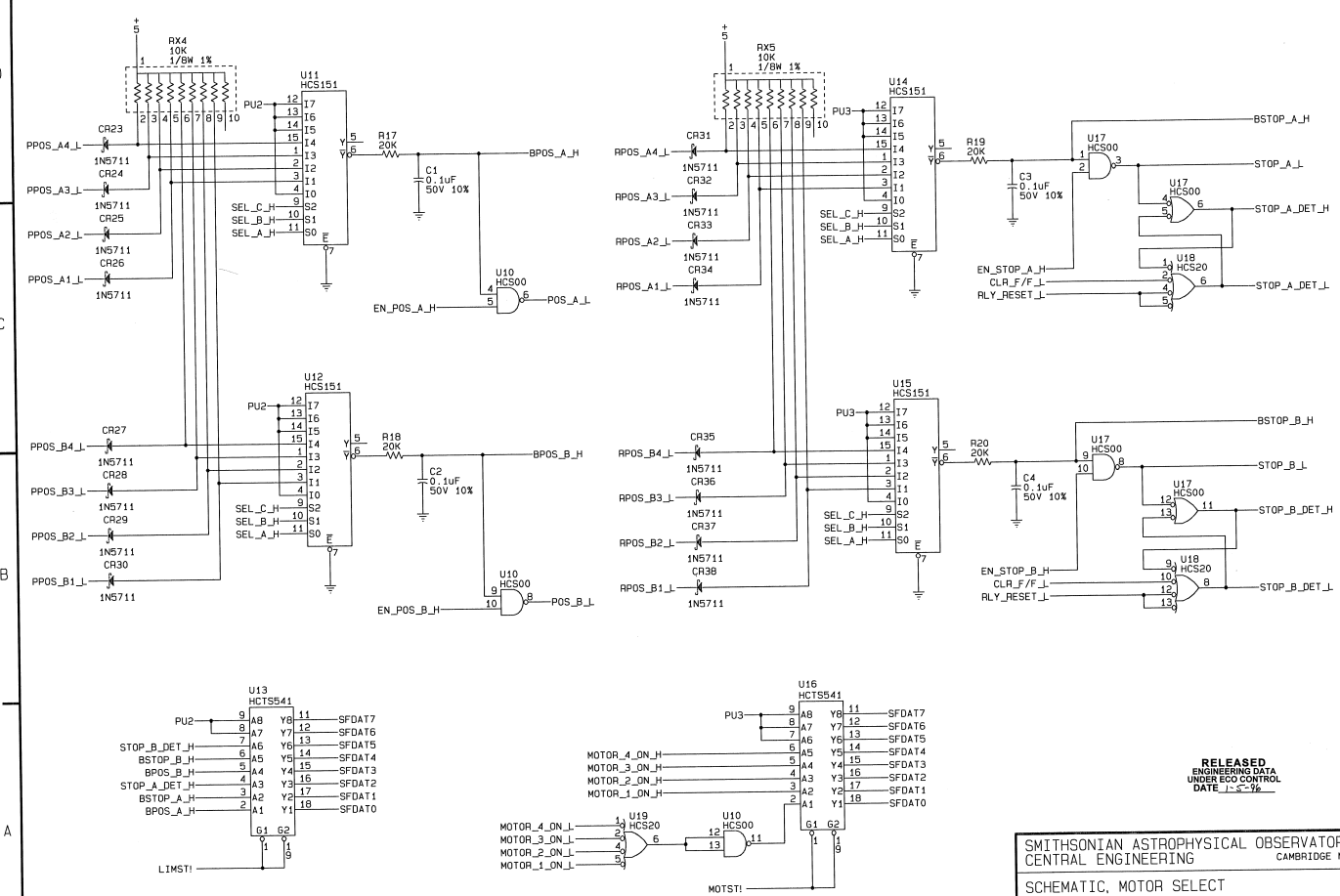


MOTOR DRIVE SELECT RELAYS

RELEASED
ENGINEERING DATA
UNDER ECO CONTROL
DATE 1-5-96

SMITHSONIAN ASTROPHYSICAL OBSERVATORY CENTRAL ENGINEERING CAMBRIDGE MA			
SCHEMATIC, MOTOR SELECT			
CODE IDENT NO. C 50944	DRW NO. HRC-5224	REV D	
SCALE NONE	SCHEMA 3.34	SHEET 2 OF 4	

REVISIONS				
ZONE	LTR.	DESCRIPTION	DATE	APPROVED
D		REVISED PER ECO #20160	11/7/95	SP-148



RELEASED
ENGINEERING DATA
UNDER ECO CONTROL
DATE 1-5-96

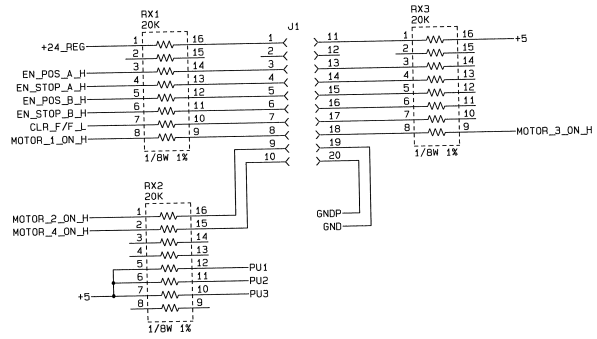
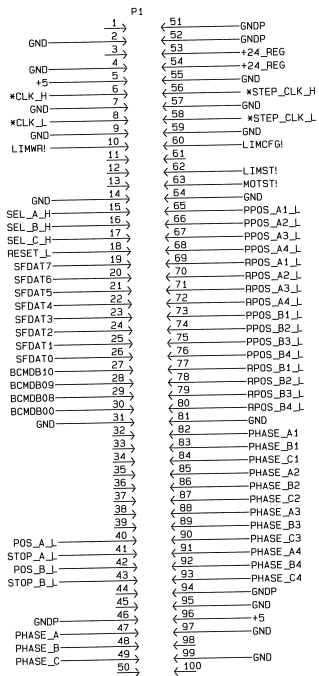
SMITHSONIAN ASTROPHYSICAL OBSERVATORY
CENTRAL ENGINEERING CAMBRIDGE MA

SCHEMATIC, MOTOR SELECT

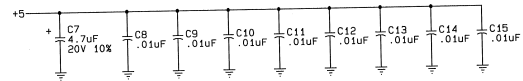
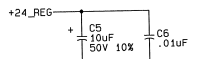
C	CODE IDENT NO. 50944	DWG NO. HRC-5224	REV D
SCALE NONE		SCHEMA 3.34	SHEET 3 OF 4

RELAY BOARD

REVISIONS				DATE	APPROVED
ZONE	LTR.	DESCRIPTION			
	D	REVISED PER ECO #20160		1/28/86	[Signature]



* ARE ASSIGNED SIGNAL PINS WHICH ARE NOT USED



UNCONNECTED PINS	
P1	5, 8, 11, 12, 13, 32, 33, 34, 35, 36, 37, 38, 39, 44, 45, 50, 56, 58, 61
RX2	0, 9
RX3	10, 11, 12, 13, 14
RX4	10
RX5	10
U11	5
U12	5
U14	5
U15	5
U18	3, 11
U19	3, 8, 11
UB	11, 12, 13, 18
RX2	3, 4, 13, 14

POWER TABLE				
REF DES	DEVICE	+5	GND	VCC VEE
U1	CD4099	16	8	
U10, U17	HCS300	14	7	
U11, U12, U14, U15	HCS151	16	8	
U13, U16, U2, U3	HCTS541	20	10	
U18, U19	HCS20	14	7	
U7	HCS138	16	8	
U8	HCTS540	20	10	
U9	HCS04	14	7	

RELEASED
ENGINEERING DATA
UNDER ECO CONTROL
DATE 1-5-86

SMITHSONIAN ASTROPHYSICAL OBSERVATORY
CENTRAL ENGINEERING
CAMBRIDGE MA

SCHEMATIC, MOTOR SELECT

C	CODE IDENT NO.	50944	DRG NO.	HRC-5224	REV	D
SCALE	NONE	SCHEMA	3, 34	SHEET	4	OF 4